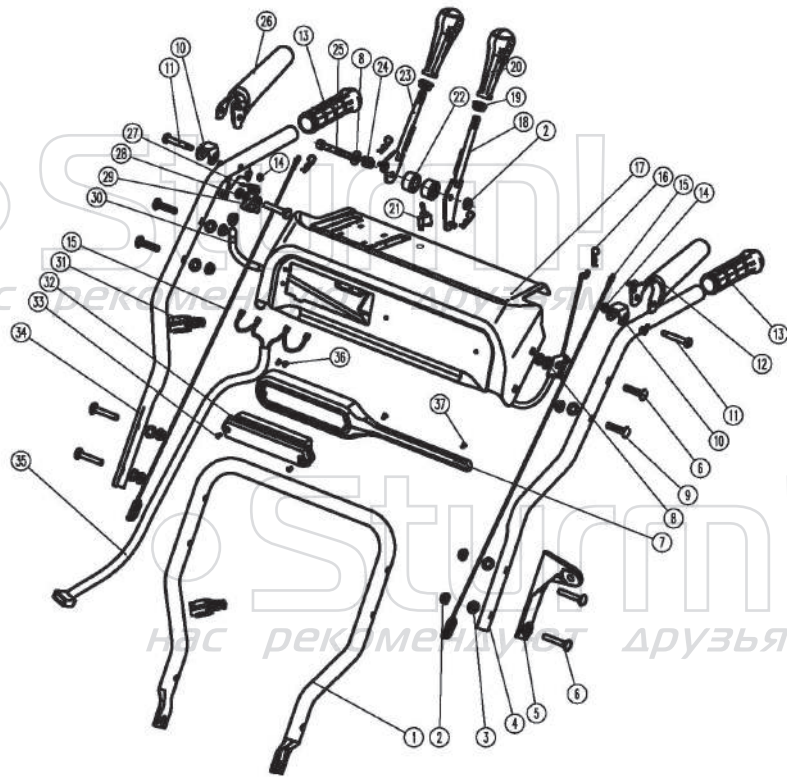


STG7661EL

NO.	DESCRIPTION
1	cap 9
2	flat washer 10
3	washer for support
4	support for lower rod
5	nut M8
6	bolt M8x25
7	rotating rod
8	handle
9	B pin
10	flat washer
11	connect rod
12	bolt M10x25
13	bolt M10x45
14	deflector cable
15	screw M6x16
16	washer for belt cover
17	belt cover
18	deflector
19	snow shovel
20	bolt M8x16
21	gear plate
22	screw M6x16
23	nut M6
24	fixing plate for chute
25	bolt M8x20
26	belt rod
27	belt V10x705
28	screw M8x20

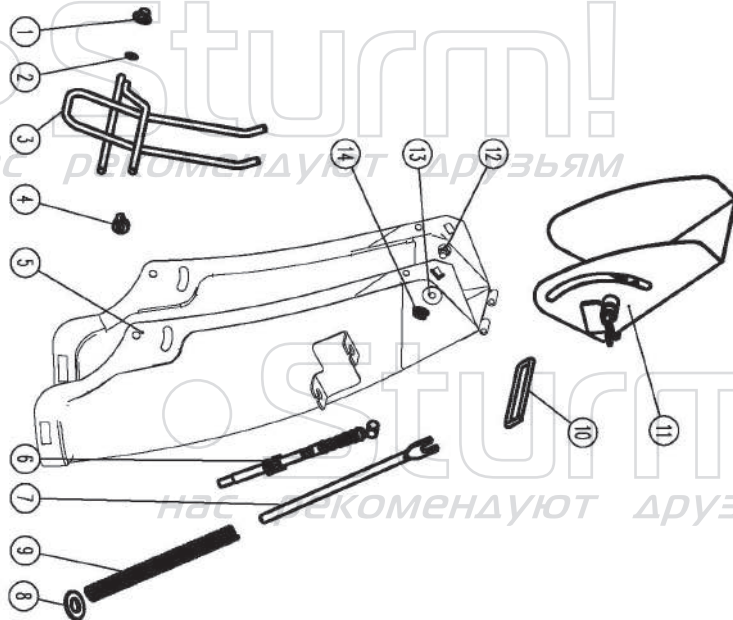
STG7661EL-ex-RU20210512



STG7661EL

NO.	DESCRIPTION	NO.	DESCRIPTION
1	lower handle	20	gear handle
2	nut M8	21	switch
3	washer 8	22	short sleeve
4	upper handle (left)	23	drive handle
5	support for upper rod	24	preset spring
6	T bolt M8x45	25	screw M8x120
7	lampshade	26	right control lever
8	washer 8	27	stopper spring
9	bolt M8x40	28	stopper
10	lever washer	29	bolt C M6x35
11	lever bolt	30	one hand control cable
12	left control lever	31	wire clip
13	handgrip	32	LED light
14	nut M6	33	screw ST3.5x16-F
15	long cable	34	upper handle (right)
16	B pin 1.5x25	35	electric wires
17	panel	36	screw ST3.5x12-F
18	handle	37	screw ST3.5x7.5-F
19	nut M10		

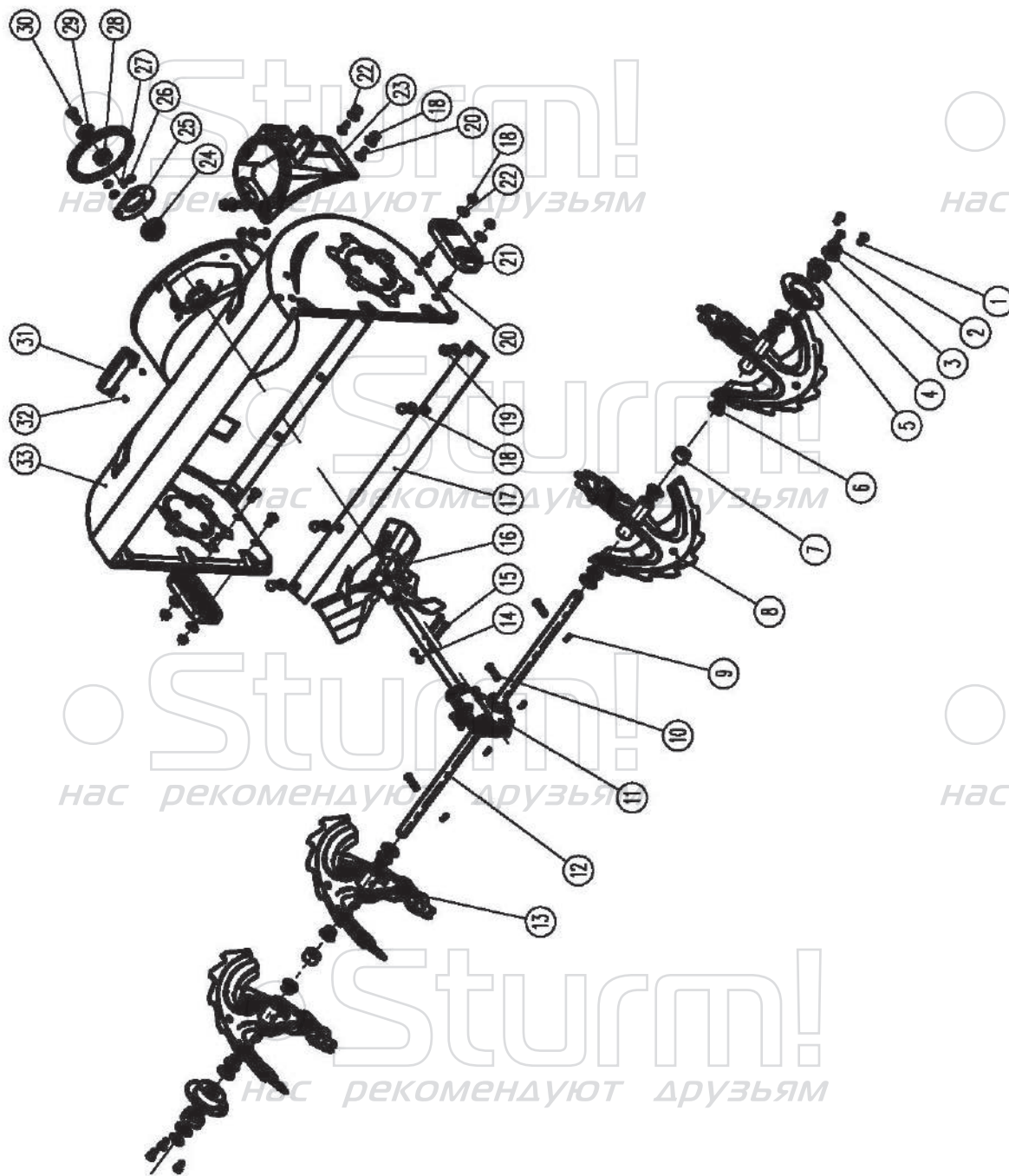
STG7661EL-ex-RU20210512



STG7661EL

NO.	DESCRIPTION
1	cap
2	plastic washer
3	safety fence
4	washer for fence
5	chute welded
6	chute cable
7	support
8	big washer C8
9	spring for chute
10	hinge shaft
11	deflector
12	bolt M6x16
13	big washer C6
14	nut M6

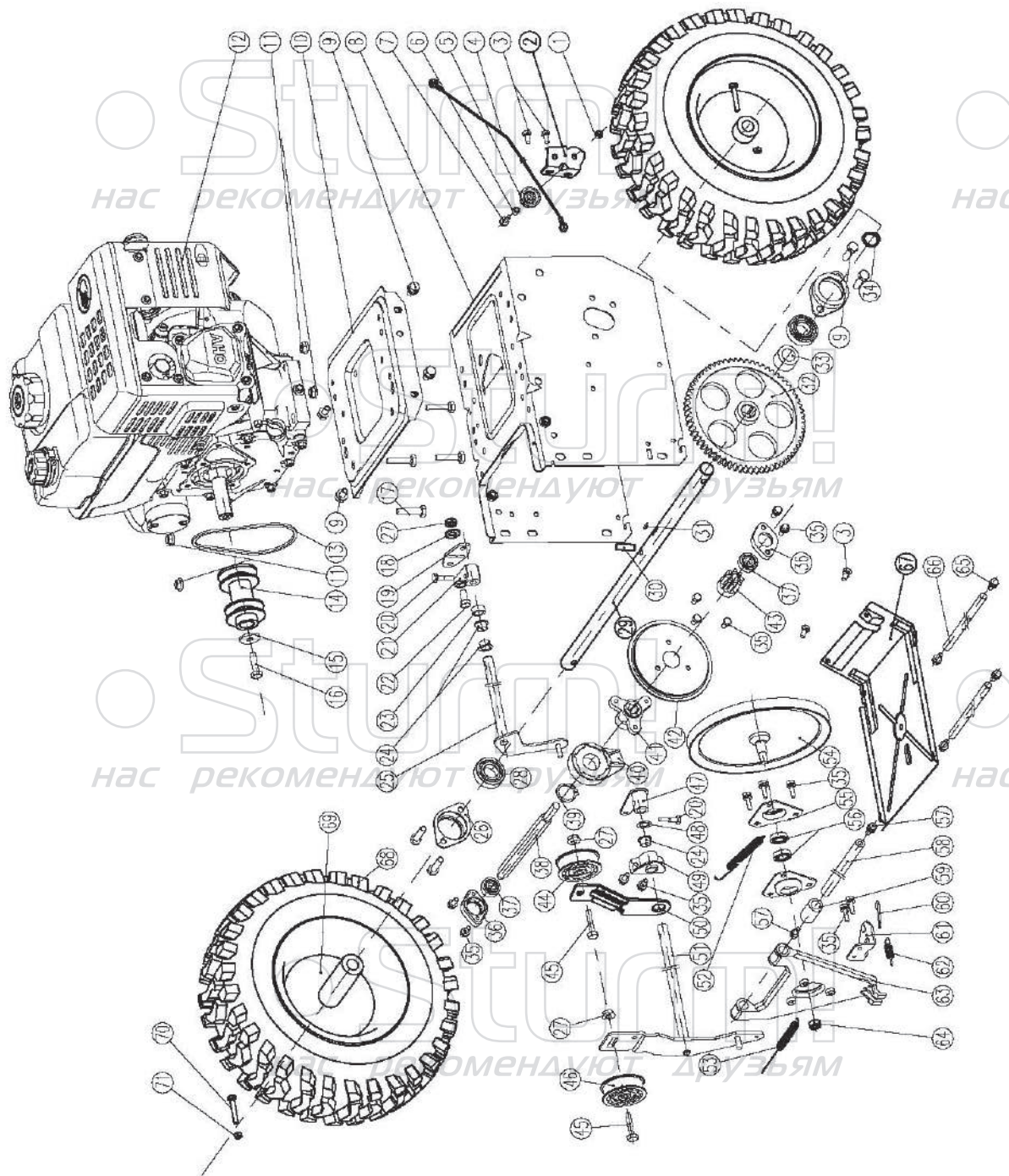
STG7661EL-ex-RU20210512



STG7661EL

NO.	DESCRIPTION
1	bolt M8x16
2	circlip 19
3	washer 31x19.5x1.8
4	bearing
5	bearing cover
6	plastic circlip
7	plastic washer
8	left auger
9	B pin
10	safety bolt
11	gear box
12	output shaft
13	right auger
14	nut M6
15	bolt M6x35
16	fan
17	shave plate 24inch
18	nut M8
19	bolt M8x16
20	bolt M8x20
21	skid shoe
22	washer 8
23	chute seat
24	bearing SB204
25	round plate
26	nut M8
27	flat key A6x6x20
28	belt pulley
29	washer 10
30	bolt M10x25
31	shovel seat
32	screw ST4.2x9.5-F
33	housing 24inch

STG7661EL-ex-RU20210512

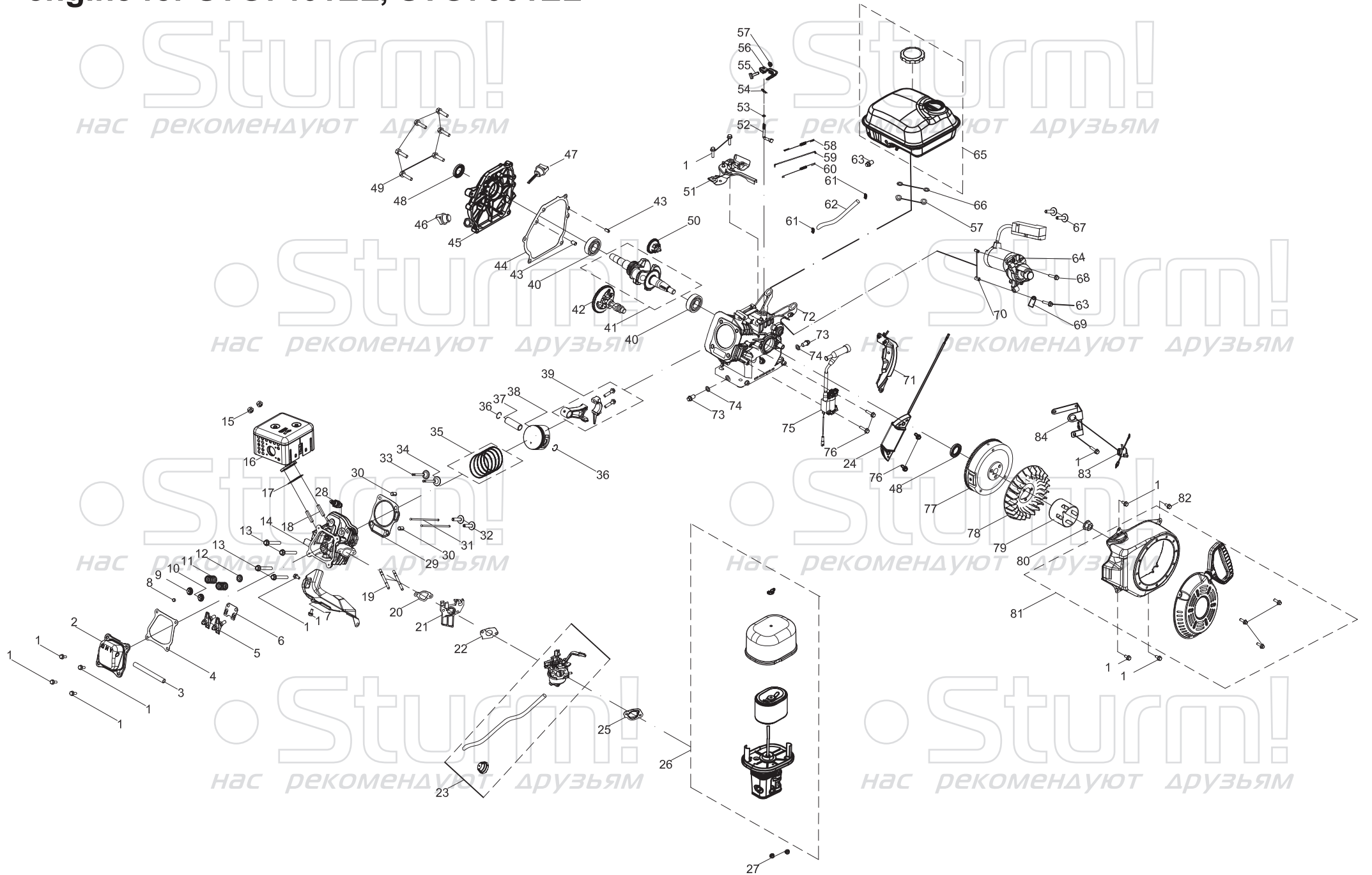


STG7661EL

NO.	DESCRIPTION	NO.	DESCRIPTION
1	Nut M6	37	bearing 6000-ZN
2	pulley seat	38	hexagon axis
3	Screw M6x12	39	circlip 25
4	short cable	40	shift bearing
5	pulley	41	seat for rubber ring
6	shaft sleeve	42	rubber ring
7	bolt M6x20	43	gear
8	transmission case	44	small tension pulley
9	screw M8x16	45	bolt M8x30
10	engine seat	46	small tension pulley
11	nut M8	47	tension connector
12	engine	48	spring washer 12
13	belt 3LXP825	49	fix plate
14	drive pulley	50	small tension plate
15	big washer 8	51	big tension plate
16	bolt M8x1x30	52	spring
17	bolt M8x40	53	brake spring
18	flat washer 8	54	belt pulley
19	gear plate	55	bearing seat
20	bolt M6x20	56	bearing 6002
21	gear connector	57	bolt M8x16
22	bolt M8x20	58	support rod
23	washer	59	bushing
24	plastic shaft sleeve	60	B pin 1.5x25
25	fork lift	61	connecting plate
26	bearing seat	62	reset spring
27	nut M8	63	support plate for friction disc
28	bearing 6304	64	nut M12
29	shaft 14inch	65	screw M6x16
30	pin 6x30	66	support rod
31	flat key 6x6x22	67	bottom plate for transmission case
32	big gear	68	tyre 14x4.6-6
33	shaft sleeve	69	rim
34	circlip 20	70	bolt M6x40
35	bolt M6x16	71	nut M6
36	inner bearing seat		

STG7661EL-ex-RU20210512

engine for STG7461EL, STG7661EL



engine for STG7461EL, STG7661EL

NO.	DESCRIPTION	NO.	DESCRIPTION
1	Bolt, M6×12	43	Pin, φ8×14
2	Valve Cover	44	Gasket, Crankcase
3	Breather Hose	45	Crankcase Cover
4	Gasket, Valve Cover	46	Oil Plug
5	Rocker Arm Assembly	47	Dipstick
6	Rocker Arm Base	48	Oil Seal, φ25×φ41.25×6
7	Shroud	49	Bolt, M8×32
8	Valve Adjust Cap, Exhaust	50	Governor Gear
9	Valve Spring Seat	51	Governor Gear Bracket Assembly
10	Valve Spring Seat	52	Governor Gear Shaft
11	Valve Spring	53	O-Ring, φ5.2×1.9
12	Intake Valve Seal	54	Cotter Pin
13	Bolt, M8×60	55	Bolt, M6×21
14	Cylinder Head	56	Governor Lever
15	Nut, M8	57	Nut, M6
16	Muffler	58	Governor Spring
17	Gasket, Muffler	59	Throttle Linkage
18	Stud, M8×34	60	Idle Spring
19	Stud, M6×108	61	Clamp
20	Gasket, Carburetor Insulator	62	Fuel Hose
21	Insulator	63	Bolt, M6×28
22	Gasket, Carburetor	64	Electric Starter
23	Carburetor	65	Fuel Tank
24	Charging Coil	66	Damping Pad
25	Gasket, Carburetor	67	Bolt, M4×60
26	Air Filter Assembly	68	Bolt, M6×35
27	Nut, M6	69	Clip Base
28	Spark Plug	70	Pin, φ8×10
29	Gasket, Cylinder Head	71	Lower Shield
30	Pin, φ10×16	72	Crankcase
31	Push Rod	73	Drain Bolt M10×15
32	Tappet	74	Washer, φ10×2×φ16
33	Exhaust Valve	75	Ignition Module
34	Intake Valve	76	Bolt, M6×25
35	Piston Ring Set	77	Flywheel
36	Circlip	78	Cooling Fan
37	Piston Pin	79	Starter Cup
38	Piston	80	Nut, M14×1.5
39	Connecting Rod Assembly	81	Recoil Starter
40	Bearing, 6205	82	Bolt, M6×14
41	Crankshaft	83	Stop Switch
42	Camshaft	84	Bracket